

TADANO AERIAL PLATFORM

**MODEL : AT-220TG**

(CARRIER : HINO XZU710R)

**Provisional Specifications**

## GENERAL DATA

<u>MAXIMUM BASKET BOTTOM HEIGHT</u>	22.3 m
<u>MAXIMUM BASKET LOADING CAPACITY</u>	200 kg or two(2) persons
<u>BOOM</u>	3-section, 6.20 m – 15.48 m
<u>DIMENSIONS</u>	
Overall length	approx. 7,380 mm
Overall width	approx. 2,050 mm
Overall height	approx. 3,450 mm
<u>MASS</u>	
Vehicle mass	approx. 7,300 kg
Gross vehicle mass	approx. 7,495 kg

Specifications are subject to change without notice.

## AERIAL PLATFORM SPECIFICATIONS

<u>MODEL</u>	AT-220TG
<u>MAX. BUCKET BOTTOM HEIGHT</u>	22.3 m
<u>BASKET EQUIPMENT</u>	<p>Basket</p> <p>Pipe made</p> <p>Inside dimensions (Length x width x depth) ..... 0.7 m x 1.2 m x 0.9 m</p> <p>Capacity ..... 200 kg or two(2) persons</p> <p>Automatic leveling system By hydraulic cylinders.</p> <p>Swing system Electric motor driven through worm reduction gear Swing angle ..... 200°(Left 97° Right 103°)</p>
<u>BOOM</u>	<p>Three-section full power synchronized telescoping boom of box construction. The synchronization system consists of a double-acting hydraulic cylinder, an extension cable and a retraction cable. Hydraulic cylinder fitted with a holding valve and a pilot check valve.</p> <p>Fully retracted length ..... 6.82 m</p> <p>Fully extended length ..... 20.92 m</p> <p>Extension speed ..... 14.07 m in 50 s</p>
<u>ELEVATION</u>	<p>By a double-acting hydraulic cylinder, fitted with a holding valve.</p> <p>Elevation speed ..... -14° to 80° in 50 s</p>
<u>ROTATION</u>	<p>Hydraulic motor driven through worm reduction gear. 360° continuous in either direction on ball bearing rotating ring.</p> <p>Rotating speed ..... 1.0 min<sup>-1</sup>{rpm}</p>

HYDRAULIC SYSTEM

Pumps .....	Gear pump.
Control valves .....	Multiple remote-control valves actuated by electric remote control from rotating frame and bucket.
Hydraulic tank capacity .....	Approx. 63 L
Filter .....	Return line filter

OUTRIGGERS

Four hydraulically operated outriggers. Each outrigger controlled simultaneously or independently from rear side of carrier. Equipped with sight level gauge. Floats mounted integrally with the jacks and retract to within vehicle width. All cylinders fitted with pilot check valves.

Fully extended width .....	Front 4.1 m
	Rear 4.1 m

CONTROLS AND MONITORS

## In basket

Joy-stick levers with mode selector

- vertical/horizontal mode for vertical up down, horizontal movement parallel to ground and bucket swing.
- conventional mode for superstructure rotation, boom telescoping, boom elevation and bucket swing.

Switches for automatic stowing, emergency stop, mode selector (vertical/horizontal, conventional movement selector), engine start/stop and acceleration change-over(2 speed with auto-acceleration)/emergency pump.

Monitors for working area limit, emergency stop, vertical/horizontal movement selector lamp.

## On rotating frame

Switches for boom rotation, boom telescoping, boom elevation, automatic stowing, acceleration change-over(2 speed with auto-acceleration), emergency pump, emergency stop and emergency stop release.

Cocks for basket leveling control.

## Outriggers control

Levers for extension-retraction and outrigger selection.

Switches for acceleration (2 speed with auto-acceleration), and engine start-stop.

SAFETY DEVICES

Automatic moment limiter (AMC)  
Boom profile monitor system (Prevent hitting vehicle by boom and by basket)  
Automatic speed control system on boom elevation and rotation.  
Automatic speed reduction and soft stop function on boom elevation, rotation and telescoping.  
Automatic acceleration  
Boom vertical/horizontal movement device  
Boom and basket automatic stowing  
Emergency pump  
Emergency stop system  
Parking brake warning  
PTO connect warning (when drive)  
Jack interlock  
Boom interlock  
Outrigger indicator  
Shift lever interlock  
Hydraulic cylinder lock valves  
Hydraulic safety valves  
Level gauge  
Guard for operation levers  
Foot switch (on basket)

ACCESSORIES

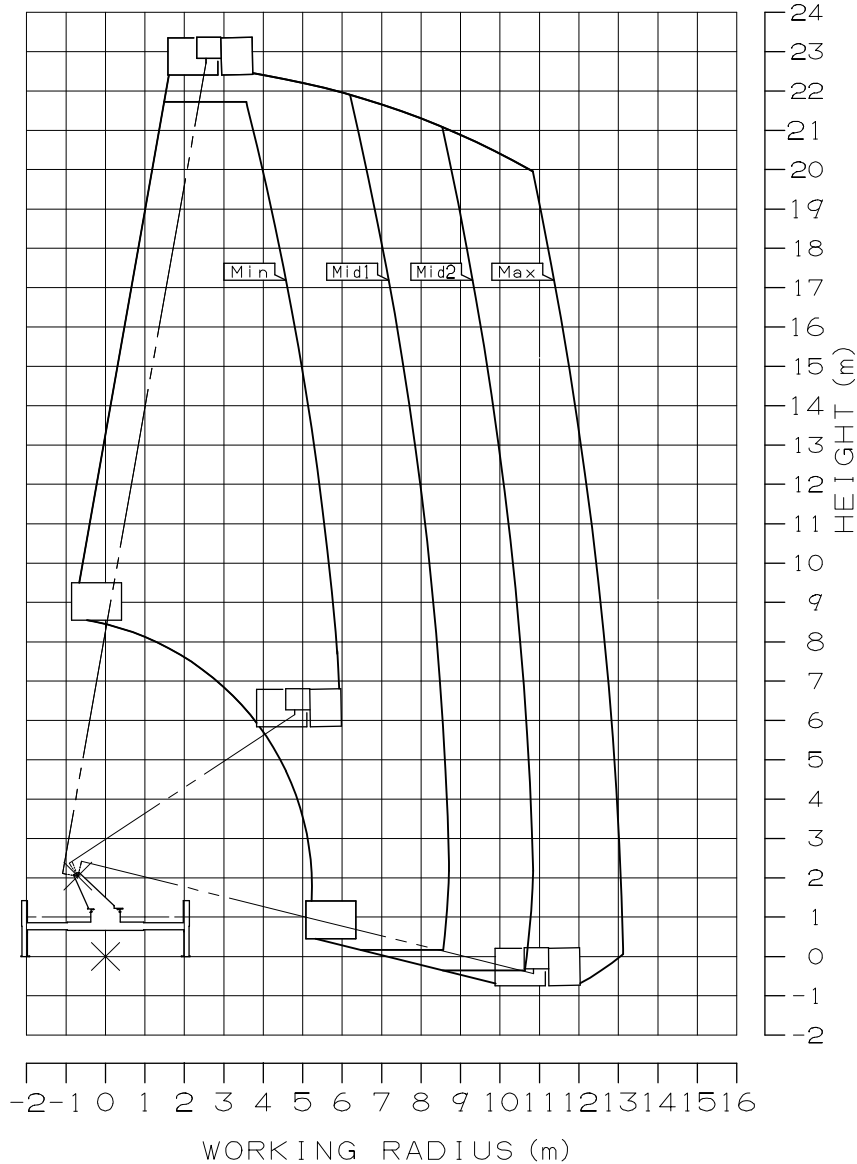
Hour meter  
Rubber blocks (for outriggers)  
Chocks

OPTIONAL EQUIPMENT

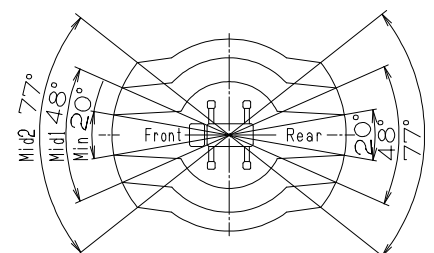
Work light (on basket)  
Safety belt  
Grease pump  
Tools

# WORKING RANGE

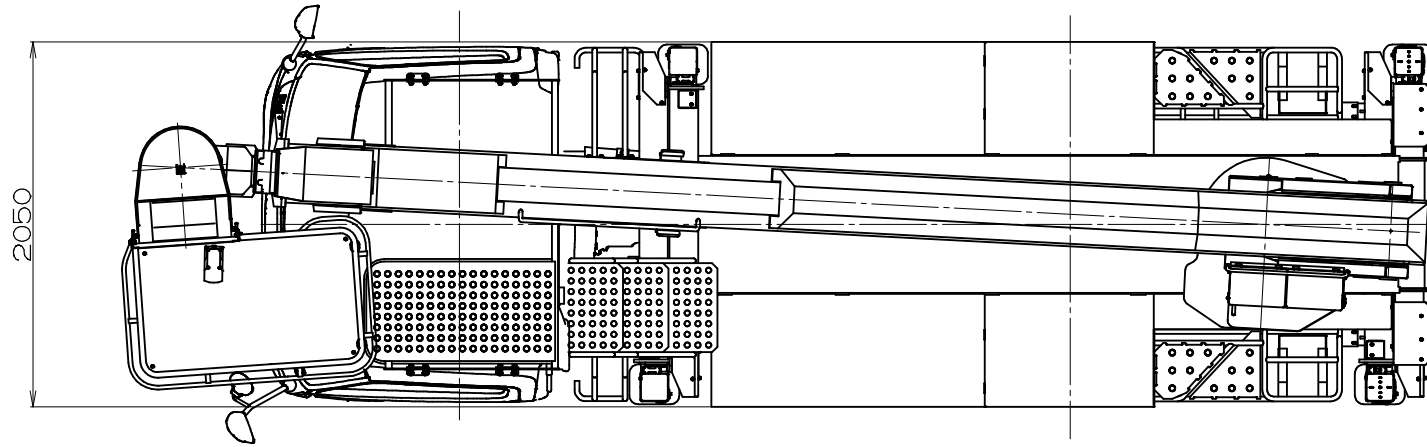
Basket loading capacity :  
200 kg or 2 persons



- NOTES: 1. Working ranges shown are for a case where the aerial platform is set on firm, level ground, and do not include boom deflection.
2. "Max", "Mid2", "Mid1" and "Min" indicates the corresponding outrigger extension widths.
3. Working ranges above shown are for lateral directions, those for longitudinal directions are same as the one for maximum outrigger extension width, regardless of outrigger extension.
4. The applicable working range is different depending on the swing angle as shown in the right illustration.



EXTERNAL VIEWS



MODEL : AT-220TG  
CARRIER : HINO XZU710R

