



# TADANO AERIAL PLATFORM HYPER DECK MODEL: AT-400CG

## GENERAL DATA

MAXIMUM WORKING HEIGHT		42.0 m
MAXIMUM BASKET BOTTOM HEIGHT		40.0 m
MAXIMUM BASKETLOADING CAPACITY		360 kg or two(2) persons
BOOM		4-section, 7.96m - 19.9m
DIMENSIONS	Verall Length	Approx. 11,910 mm
	Verall Width	Approx. 2,490 mm
	Verall Height	Approx. 3,400 mm
MASS	Vehicle Mass	Approx. 19,930Kg

Specifications are subject to change without notice.

## AERIAL PLATFORM SPECIFICATIONS

MODEL	AT-400CG	
MAX. BASKET BOTTOM HEIGHT	40.0m	
BASKET WQUIPMENT	<p><b>BASKET</b></p> <p>Pipe made</p> <p>Inside Dimensions (Length x Width x Depth) 2.12m x 1.0m x 1.0m</p> <p>Capacity 360kg</p> <p>Automatic Leveling system By hydraulic cyclindders.</p> <p>Basket Swing System Electric motor driven through reduction gear Swing Angle 1200°(Left 60°Right 60°)</p>	
Boom	<p>Four-section full power synchronized telescoping boom of box construction. The synchronization system consists of a double-acting hydraulic cylinder fitted with a holding valve and pilot check valve.</p> <p>Fully retracted Length 7.66m</p> <p>Fully extended Length 19.9m</p> <p>Extension Speed 10.74m in 70 s</p>	
Elevation	<p>By a double-acting hydraulic cylinder, fitted with a holding Valve.</p> <p>Elevation Speed 0°to 90° in 55 s</p>	
Rotation	<p>Hydraulic motor driven through worm reduction gear. 360°continuous in either direction on ball bearing rotating ring.</p> <p>Rotating Speed 0.8min (rpm)</p>	
HYDRAULIC SYSTEM	Pumps	Gear Pump
	Control Valves	Multiple hydraulic-control valves actuated by switch with integral relief ralves, on roating frame. And electric remote control from basket.
	Hydraulic Tank Capacity	Approx. 390L
	Filter	Return line filter

**OUTRIGGERS**

Four hydraulically operated outriggers. Each outrigger controlled simultaneously or independently from rear side of carrier. Equipped with sight level gauge. Flats mounted integrally with the jacks and retract to within vehicle width. All cylinders fitted with pilot check valves.

**WIDTH OF OUTRIGGERS**

Fully = 5.20m, Mid 2 = 4.14m, Mid 1 = 3.10m, Min = 2.08m

**CONTROL AND MONITORS**

In basket

Joy-stick levers with mode selector

- vertical/horizontal mode for vertical up down, horizontal movement parallel to ground and basket swing
- Conventional mode for superstructure rotation, boom telescoping, boom elevation and basket swing.

Switches for engine start-stop, automatic boom stowing, acceleration change-over (2 speed with auto-acceleration), mode selector (vertical/horizontal, conventional movement selector), emergency pump strat, emergency stop, selection of basket vertical/horizontal movement.

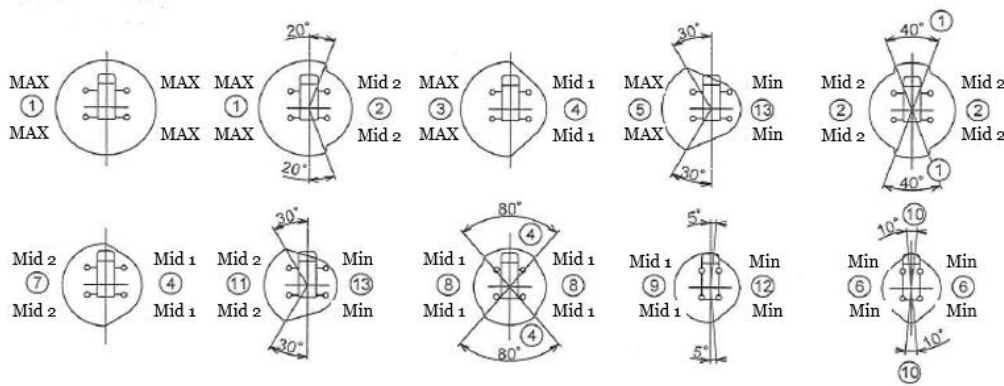
**On rotating frame**

Switches for telescoping of boom, elevation, rotation, acceleration change-over (2 speed with auto-acceleration), automatic boom stowing, emergency pump start, emergency stop-release, emergency operation. Cocks for basket leveling control.

**Outriggers control**

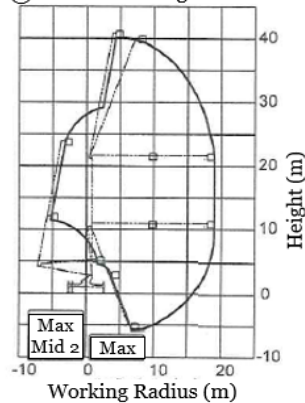
Lever for extension-retraction and outrigger selection.

Switches for acceleration (2 speed with auto-acceleration), and engine start-stop.



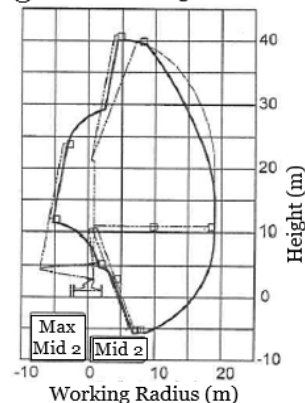
**Working Radius 1**

- ① Left: Max – Right: Max
- ② Left: Mid 2 - Right: Max



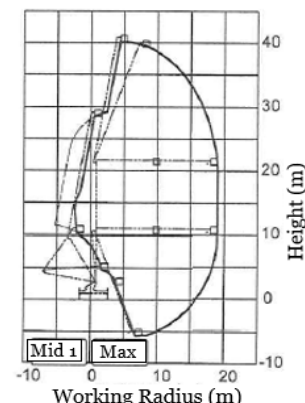
**Working Radius 2**

- ① Left: Max – Right: Mid 2
- ② Left: Mid 2 - Right: Mid 2



**Working Radius 3**

- ① Left: Mid 1 – Right: Max



SAFETY DEVICES

- Automatic moment limiter (AMC)
- Boom profile monitor system (Prevent hitting vehicle by boom and by basket)
- Automatic speed reduction and soft stop function on boom elevation, rotation and telescoping
- Automatic acceleration
- Boomvertical/horizontal movement device
- Boom and basket automatic stowing
- Emergency pump
- Emergency stop system
- Parking brake warning
- PTO connect warning (When drive)
- Jack interlock
- Outrigger indicator
- Shift lever interlock
- Hydraulic cylinder lock valves
- Hydraulic safety valves
- Level gauge
- guard for operation levers
- Foot switch (on basket)

Accessories

- Hour meter
- Rubber blocks ( for outriggers)
- Chocks

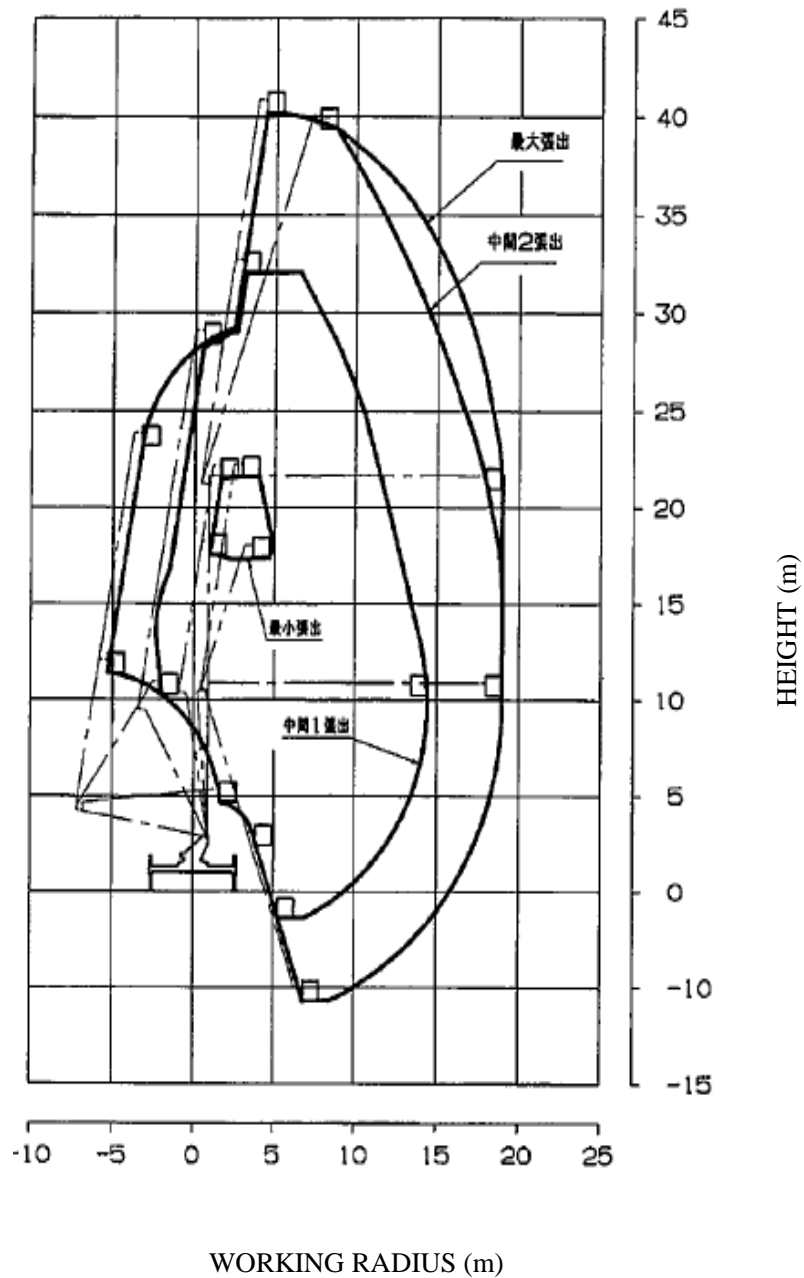
OPTIONAL EQUIPMENT

- Work light (on basket)
- Safety belt
- Elevation cylinder boots
- Wood block (for outrigger)
- Yellow flickers
- Grease pump
- Tools

## WORKING RANGE

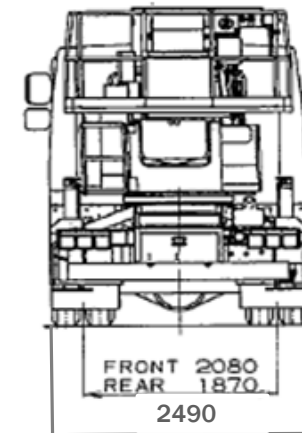
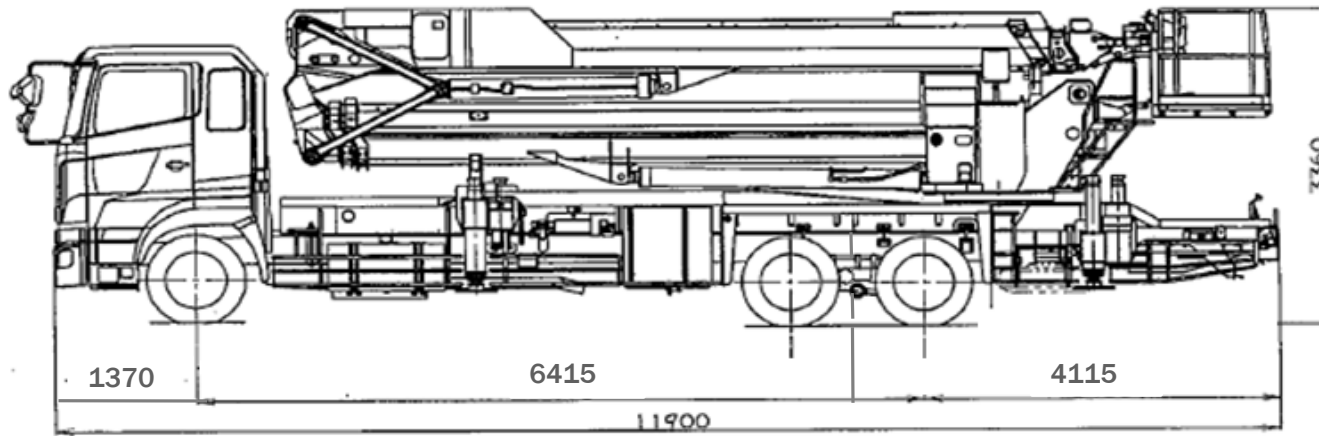
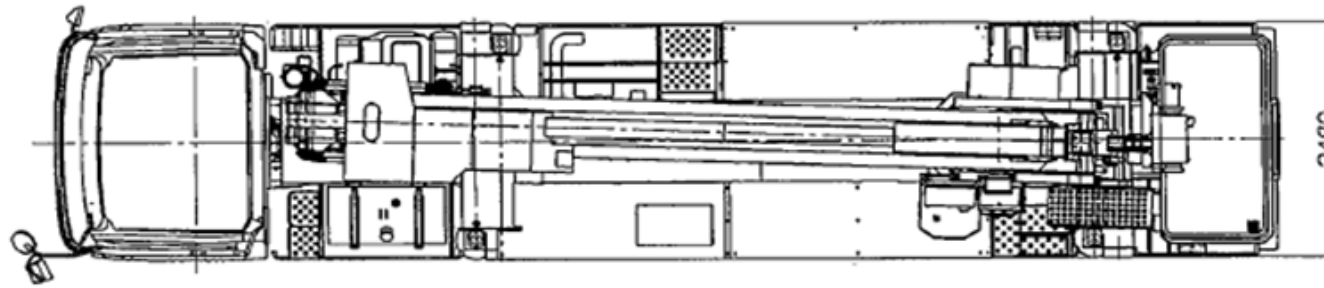
Outrigger fully extended  
Working area : 360°

Basket loading capacity:  
360kg or 2 persons

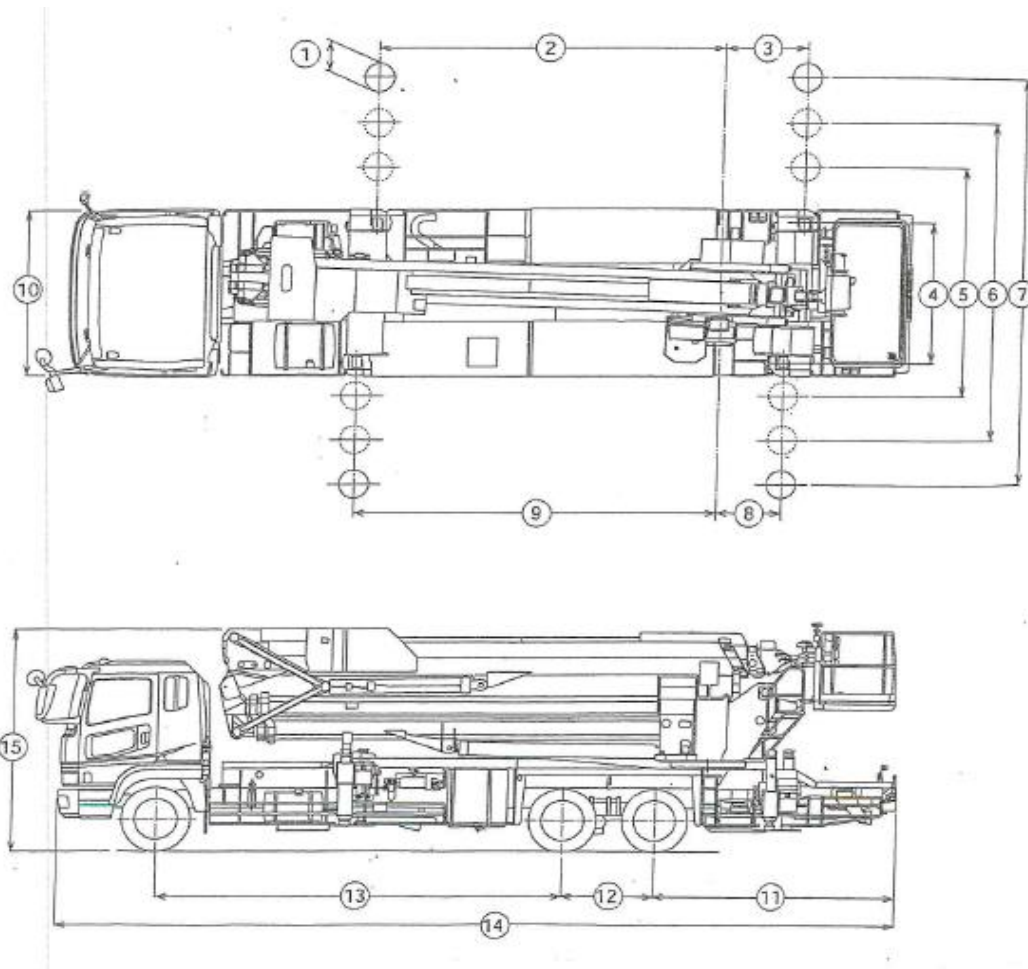


NOTES: Working ranges shown area for a case where the aerial platform is set on firm, level ground, and do not include boom deflection.

# EXTERNAL VIEWS



**Outer diameter (Dimension is different depending on product year)**



1	Outrigger float dimensions	Φ400 mm	11	• • • • •	3,470 mm
2	• • • • •	4,878 mm	12	• • • • •	1,300 mm
3	• • • • •	1,162 mm	13	• • • • •	5,750 mm
4	Outrigger Minimum Width	2,080 mm	14	• • • • •	11,900 mm
5	Outrigger Mid 1 Width	3,100 mm	15	• • • • •	3,400 mm
6	Outrigger Mid 2 Width	4,140 mm			
7	Outrigger Maximum Width	5,200 mm			
8	• • • • •	918 mm			
9	• • • • •	5,122 mm			
10	Total width	2,490 mm			